

# DATA SHEET MERRY-GO-ROUND KLARA

Text for invitation to tender | Item No: 51 4005 401

## MATERIALS | SCOPE OF SUPPLY

Merry-go-round, pre-mounted completely

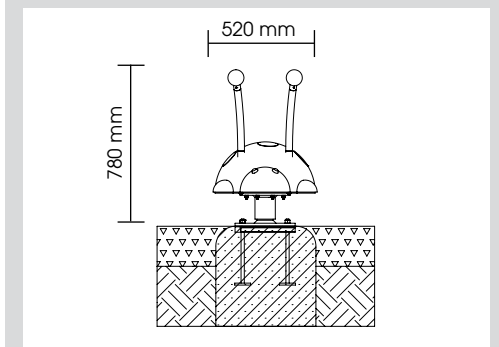
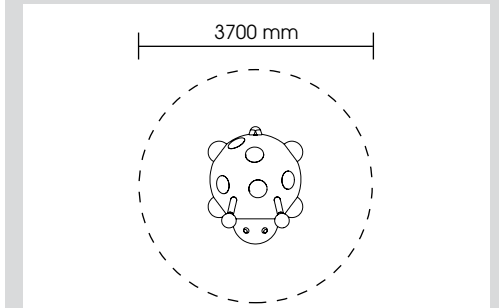
Body:	half globe with head and feet made of EPDM granules, 1 piece
Handles:	stainless steel, V2A, with ball made of EPDM caoutchouc, 2 pieces
Eyes:	plastic, 2 pieces
Pedestal:	steel coated, with ball bearing
Foundation anchor:	galvanized steel

## TECHNICAL INFORMATION

Dimensions:

Main dimension:	645x 520 mm
Height:	780 mm
Weight:	57 kg
Capacity:	acc. to normative requiments
Dimension largest piece:	645 x 520 x 1075 mm
Heaviest piece:	57 kg

Max. fall height:	420 mm
Impact area:	10,75 m <sup>2</sup>
Required safety slabs:	16,00 m <sup>2</sup>
Required lawn grating:	16,00 m <sup>2</sup>
Recommended surface material:	grass, sand, wood chip, gravel, synth. impact protection



## INSTALLATION

Foundations: 1

Modified installation depth possible (special edition)

Installation according to our detailed mounting instructions, see [www.stilum.com](http://www.stilum.com)

